

Thermometer

type 55 stainless steel

vertical stem

E 10.01.02

Ed.19.01

Design	Thermometer in stainless steel with vertical stem in stainless steel 1.4571
Design	EN 13190
Case diameter	Dim 63, 100 eller 160 mm
Accuracy Class	1,0% acc.to DIN EN 13190
Type	5500 = case dim 100 mm 5501 = case dim 160 mm 5525 = case dim 63 mm
Case	Stainless steel with bayonet type bezel Option with liquid filled case (max 0+250°C) Option with liquid filled case (Food compatible)
Glass	Instrumentglass Option with laminated safety glass, clear non-splintering plastic
Dial	White dial of aluminium with unit Celsius °C Option dial with unit °F or unit °C+F
Temperature element	Coiled bimetal
Working temperature	90% of range by permanent measuring 100% by short time measuring
Weather protection	IP 65 acc.to EN 60529 Option with IP 66 or IP 67
Location of stem	Vertical stem
Stem	Stem of stainless steel 1.4571 dim Ø 6, 8, 10 or 12 mm
Length of stem	Stem length from 50 mm to max 1000 mm See type 73 for longer stem > 1000 mm
Connection	Male thread, compression fitting, male nut or female nut G1/2", G3/4", M18x1,5, 1/2"NPT or 3/4"NPT
Working pressure	Max pressure rating without thermowell = 25 bar
Ambient temperature	Max -40+70°C Option with lower temperature range -50°C or -70°C
Electrical device	Electrical kontakt see datasheet E10.03.06 or E10.03.07
Thermowell	Fabricated or solid machined thermowell as accessorie. See page 4.
Certificate	Certificate EN 10204 as option Test report material EN 10204-2.2 Material certificate EN 10204-3.1 Test certificate EN 10204-3.1 with 3 measuring points
Optional extras	Option with Ex acc.to ATEX protection Cat 2G and 2D



Thermometer 5500
with male thread



Thermometer 5500/4
with compression fitting

Thermometer

type 55 stainless steel
vertical stem

E 10.01.02

Design and connections



Male thread

Type 5500 = case dim 100 mm
Type 5501 = case dim 160 mm
Type 5525 = case dim 63 mm



Plain stem without thread

Type 5500/1 = case dim 100 mm
Type 5501/1 = case dim 160 mm
Type 5525/1 = case dim 63 mm



Compression fitting

Type 5500/4 = case dim 100 mm
Type 5501/4 = case dim 160 mm
Type 5525/4 = case dim 63 mm



Male nut

Type 5500/2 = case dim 100 mm
Type 5501/2 = case dim 160 mm
Type 5525/2 = case dim 63 mm



Female nut

Type 5500/3 = case dim 100 mm
Type 5501/3 = case dim 160 mm
Type 5525/3 = case dim 63 mm

Thermometer

type 55 stainless steel

vertical stem

E 10.01.02

Scale range

Scale range	Measuring range	Scale space
-70 + 70°C	-50 + 50°C	70 divisions
-70 + 30°C	-60 + 20°C	100 divisions
-50 + 50°C	-40 + 40°C	100 divisions
-50 + 100°C	-30 + 80°C	75 divisions
-50 + 300°C	0 + 250°C	70 divisions
-50 + 500°C	0 + 450°C	60 divisions
-40 + 60°C	-30 + 50°C	100 divisions
-40 + 80°C	-20 + 60°C	60 divisions
-40 + 160°C	-20 + 140°C	100 divisions
-30 + 50°C	-20 + 40°C	80 divisions
-30 + 70°C	-20 + 60°C	100 divisions
-20 + 60°C	-10 + 50°C	80 divisions
-20 + 80°C	-10 + 70°C	100 divisions
-20 + 100°C	0 + 80°C	60 divisions
-20 + 120°C	0 + 100°C	70 divisions
-20 + 140°C	0 + 120°C	80 divisions
-10 + 50°C	0 + 40°C	60 divisions
0 + 60°C	+10 + 50°C	60 divisions
0 + 80°C	+10 + 70°C	80 divisions
0 + 100°C	+10 + 90°C	100 divisions
0 + 120°C	+10 + 100°C	60 divisions
0 + 150°C	+20 + 130°C	75 divisions
0 + 160°C	+20 + 140°C	80 divisions
0 + 200°C	+20 + 180°C	100 divisions
0 + 250°C	+30 + 220°C	50 divisions
0 + 300°C	+30 + 270°C	60 divisions
0 + 400°C	+50 + 350°C	80 divisions
0 + 500°C	+50 + 450°C	100 divisions
0 + 600°C	+100 + 500°C	60 divisions

Thermometer

type 55 stainless steel

vertical stem

E 10.01.02

Thermowell

Thermowell TW50-H

Solid machined in stainless steel 1.4571. Working pressure max 150 bar.
Process connection G1/2", G3/4", 1/2"NPT or 3/4"NPT male
Female G1/2" for thermometer
Inside dim \varnothing 7, 9 or 10,6 mm for thermometer with immersion tube \varnothing 6, 8 or 10 mm
Insertion lengths U1 from 50 mm to 500 mm
U1 + 18-20 mm = Immersion L1- for thermometer
Thermowell with U1-100 mm is suitable for thermometer with L1-120 mm
[Datasheet E11.01.01](#)



Thermowell TW45-F

Fabricated in stainless steel 1.4571. Working pressure max 25 bar.
Process connection G1/2", G3/4" or 1/2"NPT male, female G1/2" for thermometer
Inside dim \varnothing 6,2 mm, \varnothing 8,2 mm or \varnothing 10,2 mm
for thermometer with immersion tube \varnothing 6, 8 or 10 mm
Insertion lengths U1- 32, 82, 132, 142, 182, 282 or 382 mm
U1 + 18 mm = Immersion L1- for thermometer
Thermowell with U1-82 mm is suitable for thermometer with L1-100 mm
[Datasheet E11.01.03](#)



Thermowell TW15-H

Solid machined in stainless steel 1.4571. Working pressure max 150 bar.
Special tapered design for process industry
Process connection male 1/2"NPT, 3/4"NPT or 1"NPT
Inside dim \varnothing 6,6 mm, \varnothing 8,6 mm or \varnothing 10,6 mm
Insertion lengths U1 = from 40 to 300 mm
U1 + (H) 45 mm - 10 mm = immersion length L1-for thermometer
Thermowell with U1-100 mm is suitable for thermometer with compression fitting with immersion length L1-135 mm
[Datasheet E11.01.02](#)



Weld-in thermowell

Weld-in thermowell, solid machined acc.to DIN 43772 Form 4 for high process loads
Steel 1.0460 (C.22.8) DIN 17243, Stainless steel 1.4571 (SS2350) EN 10272 or 1.7335 (13CrMo44) DIN 17243
Female connection M18x1,5 for thermometer.
Inside dim \varnothing 7 mm for immersion tube \varnothing 6 mm
Material certificate EN 10204-3.1 with chemical analysis
Permanent marking with charge number and material designation
Thermometer with immersion tube L1-130x6 mm för weld-in thermowell type D 1
Thermometer with immersion tube L1-195x6 mm för weld-in thermowell type D 2 and D 4
Thermometer with immersion tube L1-255x6 mm för weld-in thermowell type D 5
[Datasheet E11.03.01](#)



Thermowell with flange connection

Thermowell with flange connection acc.to DIN, EN or ASME
DIN 1092 or EN 1092 from DN 25 to DN 100
ASME B16,5 from DN 1" to DN 2"
Pressure rating PN 16 to PN 100
Immersion length U = 100, 160, 250, 300, 400 or 500 mm
for thermometer with immersion tube \varnothing 6, 8 or 10 mm
Standard material stainless steel 1.4571
Special material as Duplex, Hastelloy, Monel, Tantal, Titan
Female G1/2" or 1/2"NPT for thermometer
Material certificate EN 10204-3.1 with chemical analysis
[Datasheet E11.05.02](#)



Thermometer

type 55 stainless steel

vertical stem

E 10.01.02

Standard products thermometer 5500

Thermometer 5500 with vertical stem and male thread G1/2"

Stem Ø 8 or 10 mm in stainless steel 1.4571

Scale range	Length L1	Connection	Code
-30 + 50°C	120 x 10 mm	G1/2	55004612
-20 + 60°C	120 x 10 mm	G1/2	55004812
0 + 60°C	65 x 10 mm	G1/2	55000207
	100 x 10 mm	G1/2	55000210
	120 x 10 mm	G1/2	55000212
	300 x 10 mm	G1/2	55000221
0 + 120°C	65 x 10 mm	G1/2	55000407
	120 x 10 mm	G1/2	55000412
	200 x 10 mm	G1/2	55000418
	300 x 10 mm	G1/2	55000421
0 + 160°C	120 x 10 mm	G1/2	55000712
	300 x 10 mm	G1/2	55000721
0 + 200°C	65 x 10 mm	G1/2	55000807
	120 x 10 mm	G1/2	55000812
	200 x 10 mm	G1/2	55000818
	300 x 10 mm	G1/2	55000821
0 + 300°C	120 x 10 mm	G1/2	55001512
	200 x 10 mm	G1/2	55001518
	300 x 10 mm	G1/2	55001521
0 + 400°C	200 x 10 mm	G1/2	55001718
	300 x 10 mm	G1/2	55021721



Thermometer

type 55 stainless steel

vertical stem

E 10.01.02

Standard products thermometer 5500/4

Thermometer 5500/4 with vertical stem and compression fitting

Stem Ø 6, 8 or 10 mm in stainless steel 1.4571

Scale range	Length L1	Connection	Code
0 + 60°C	130 x 6 mm	M18x1,5	55000226
	195 x 6 mm	M18x1,5	55000228
	255 x 6 mm	M18x1,5	55000230
0 + 120°C	65 x 10 mm	G1/2"	55003307
	100 x 10 mm	G1/2"	55003312
	130 x 6 mm	M18x1,5	55000426
	195 x 6 mm	M18x1,5	55000428
	255 x 6 mm	M18x1,5	55000430
0 + 160°C	130 x 6 mm	M18x1,5	55000726
	195 x 6 mm	M18x1,5	55000728
	255 x 6 mm	M18x1,5	55000730
0 + 200°C	250 x 10 mm	G1/2"	55000839
	250 x 10 mm	1/2"NPT	55000849
0 + 250°C	130 x 6 mm	M18x1,5	55001026
	195 x 6 mm	M18x1,5	55001028
	255 x 6 mm	M18x1,5	55001030
0 + 300°C	195 x 6 mm	M18x1,5	55001528



Thermometer

type 55 stainless steel

vertical stem

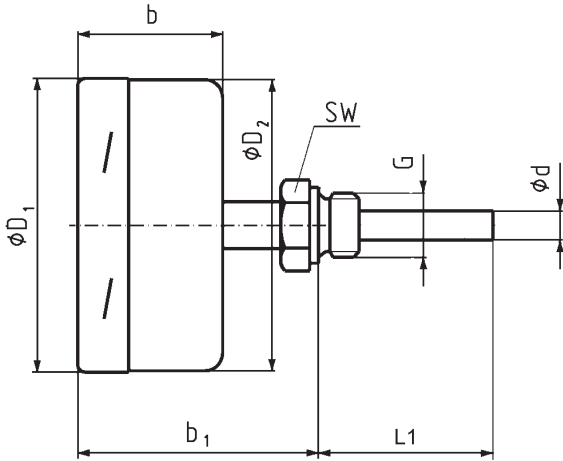
E 10.01.02

Male thread

Type 5500 = case dim 100 mm

Type 5501 = case dim 160 mm

Type 5525 = case dim 63 mm

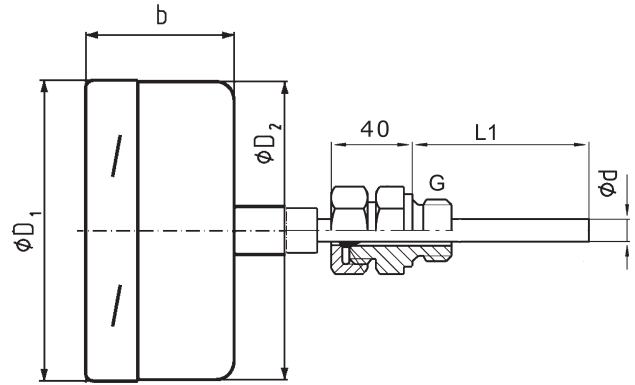


Compression fitting

Type 5500/4 = case dim 100 mm

Type 5501/4 = case dim 160 mm

Type 5525/4 = case dim 63 mm



Type	Case	d	D1	b1	G	SW
5500	100	6, 8, 10 or 12	101	83	G1/2", G3/4", 1/2"NPT or 3/4"NPT	27
5501	160	6, 8, 10 or 12	161	83	G1/2", G3/4", 1/2"NPT or 3/4"NPT	27
5525	63	6, 8, 10 or 12	64	60	G1/2", G3/4", 1/2"NPT or 3/4"NPT	27

Immersion length L1

L1 = immersion length

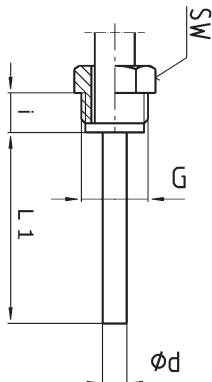
Male nut

Type 5500/2 = case dim 100 mm

Type 5501/2 = case dim 160 mm

Type 5525/2 = case dim 63 mm

G = G1/2", G3/4" or M18x1,5



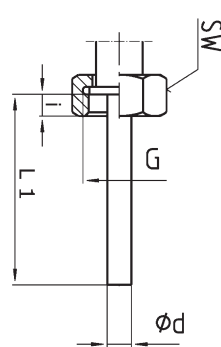
Female nut

Type 5500/3 = case dim 100 mm

Type 5501/3 = case dim 160 mm

Type 5525/3 = case dim 63 mm

G = G1/2", G3/4" or M18x1,5

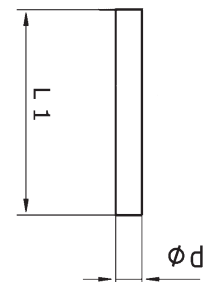


Plain stem without thread

Type 5500/1 = case dim 100 mm

Type 5501/1 = case dim 160 mm

Type 5525/1 = case dim 63 mm



Immersion length L1

L1 = immersion length, d = 6, 8, 10 or 12 mm